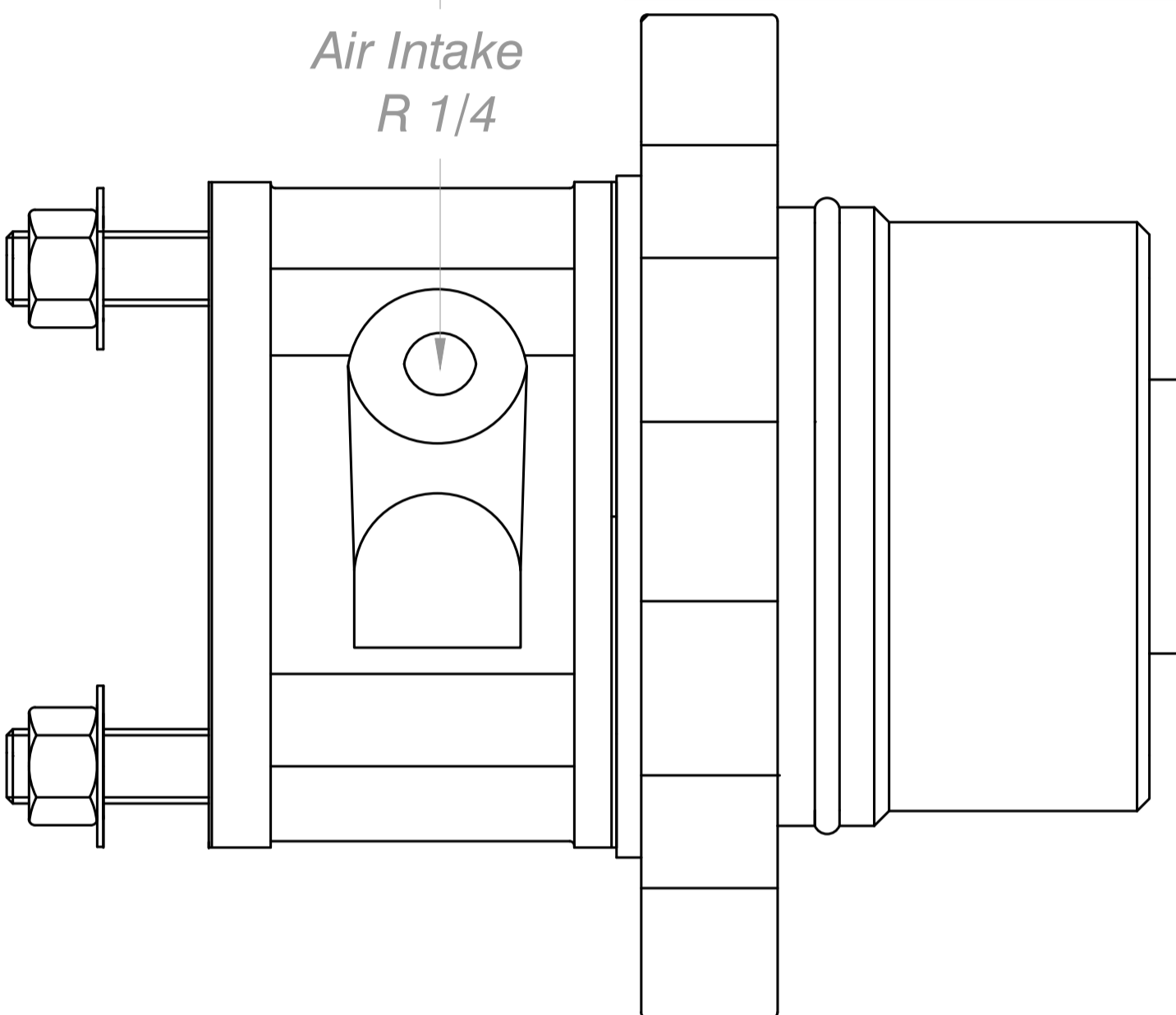
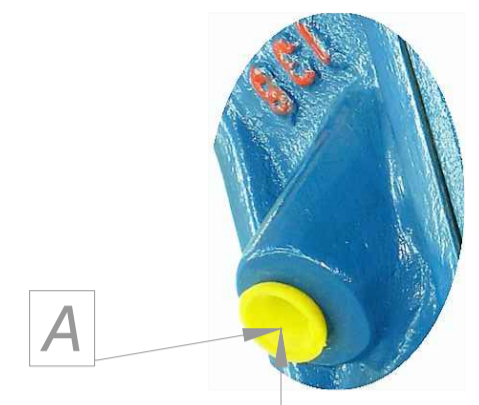
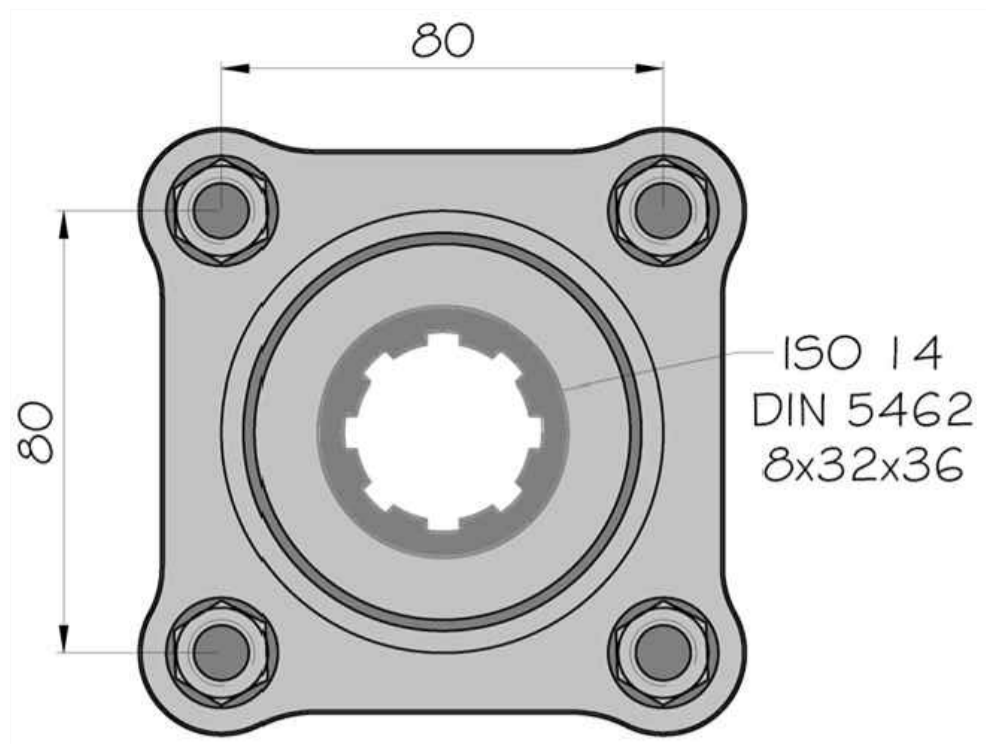
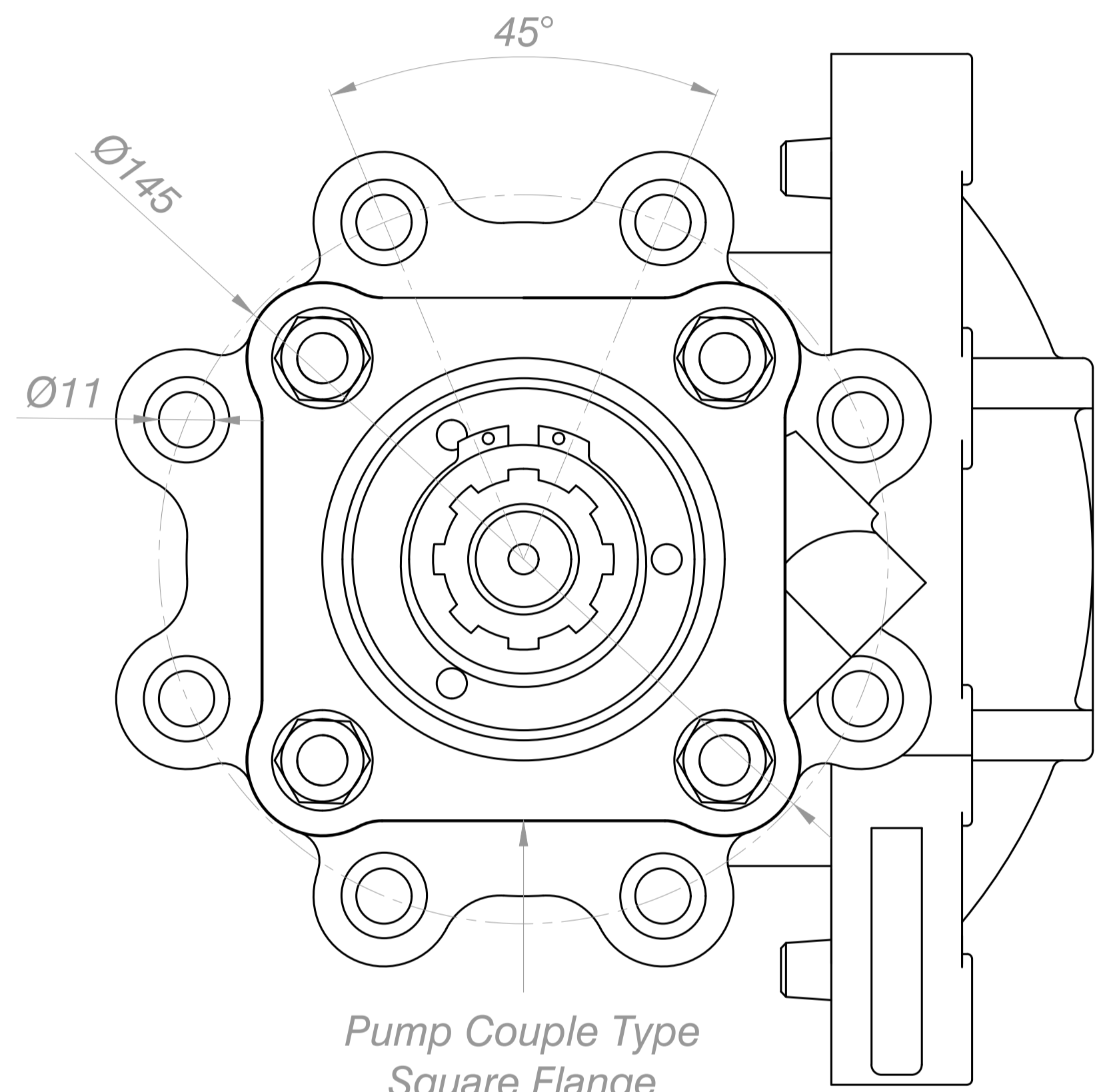
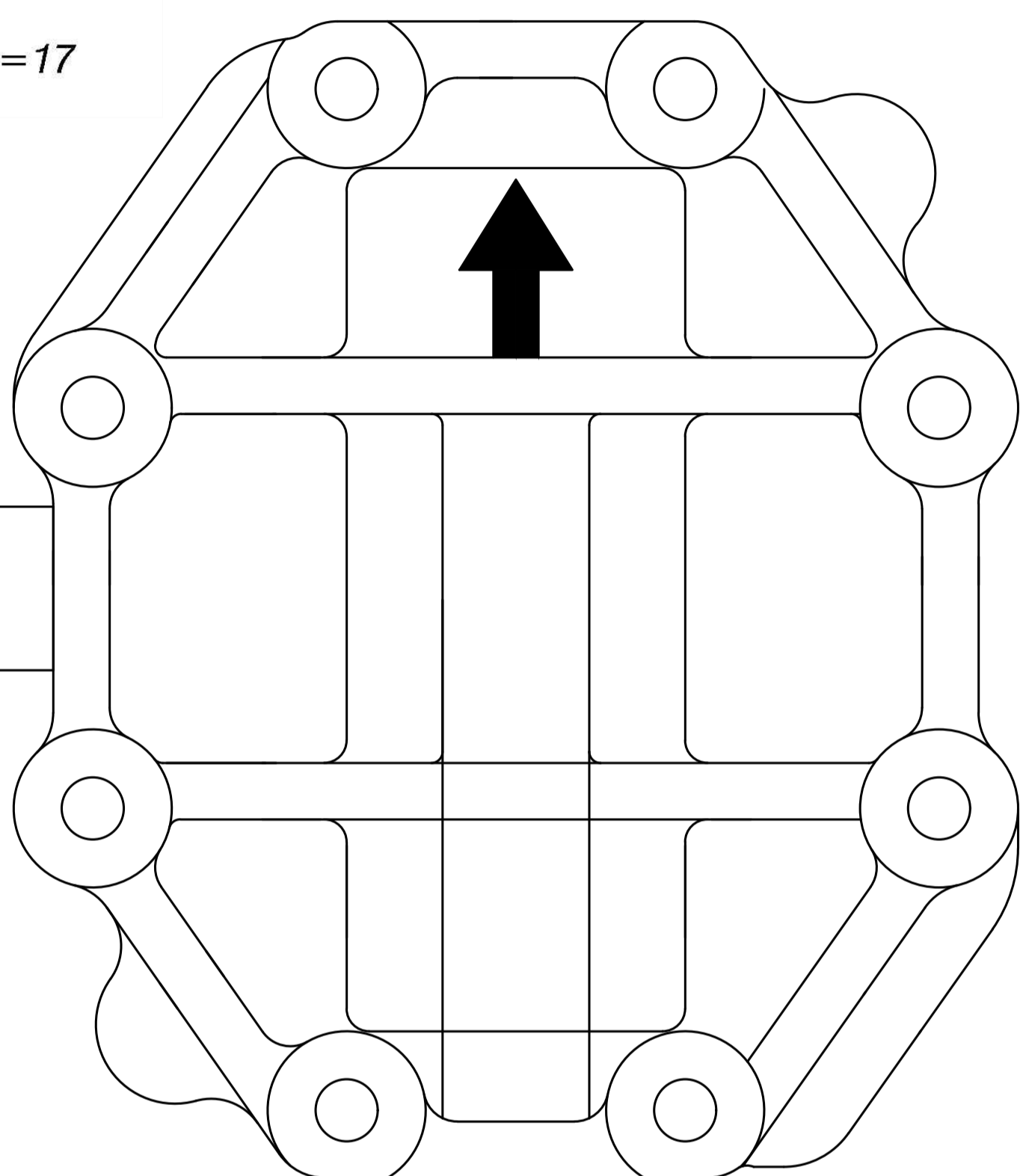


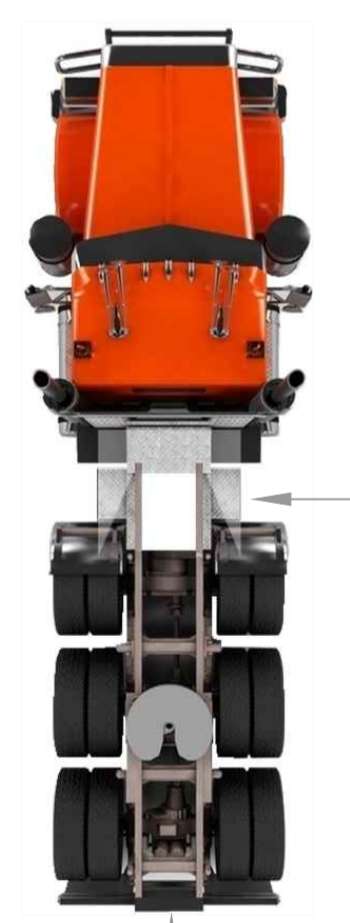
Pto Code	277AC2F
Gear Type	Helix
Pto Type	Double PTO
Output Torque Nm	400
Power Kw	36
Int.Ratio	1,3
Side Mounting	Right and Rear Side
System Control	Pneumatic
Rotation	Left
Weight Kg.	21,00



K277A022
Kardan Shaft



Ana Şanzıman ve Kamyon Modeli
SCANIA GRSO 905
SCANIA GRSO 905 R
SCANIA G 420 CB 8x4 HNZ
SCANIA R 500 LB 6x4 HHZ



Side Mounting
Right and Rear Side

